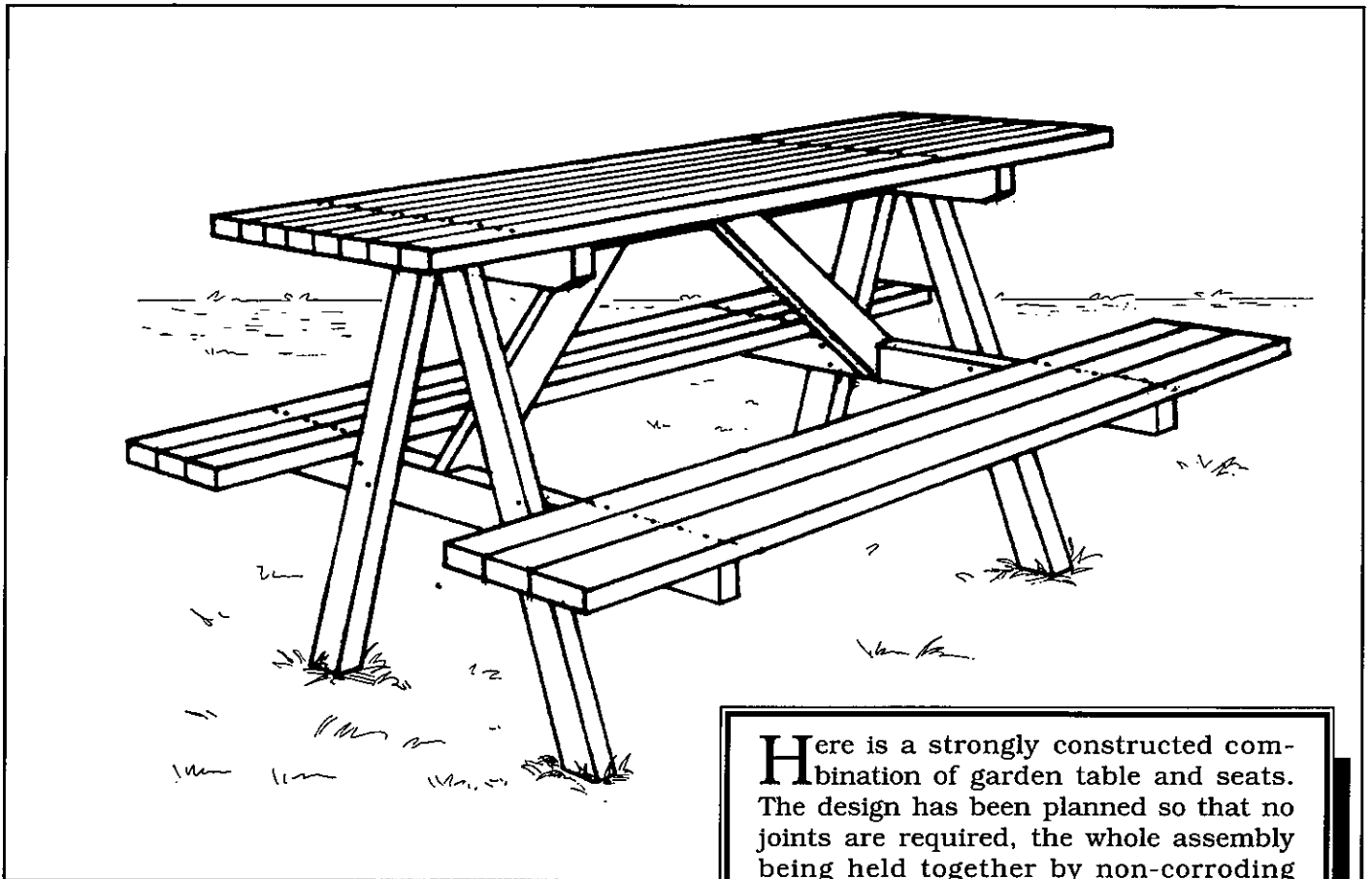
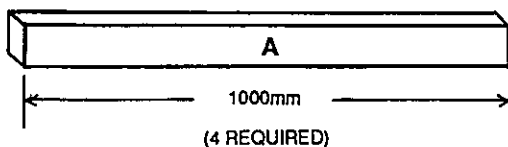


# Garden Table/Seats



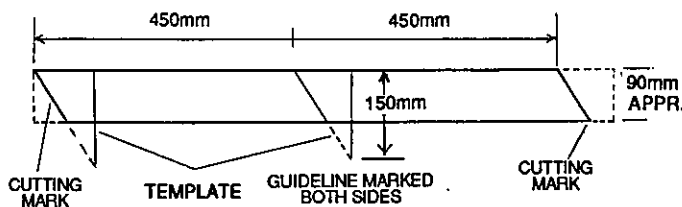
## ▼ STEP BY STEP ▼

- 1** Mark out and cut template for the angles used throughout table and seat using heavy cardboard or thin plywood /masonite/MDF. (See diagram Step 9)
- 2** From the nominated material (appr. 90 mm wide) cut 4 leg pieces each 1.0 m long.



Here is a strongly constructed combination of garden table and seats. The design has been planned so that no joints are required, the whole assembly being held together by non-corroding galvanised bolts, and countersunk head screws. Your timber stockist will be able to advise on suitable available timbers, but whatever type of timber is used, it should be durable in garden conditions (see later list). We also recommend that all components receive one coating of water repellent primer, or pigmented stain or garden furniture finish before assembly. Your garden table and seats will last for many years with little maintenance. But it will last even longer if it is regularly re-coated with stain or garden furniture type coatings.

- 3** Using template mark each leg as shown



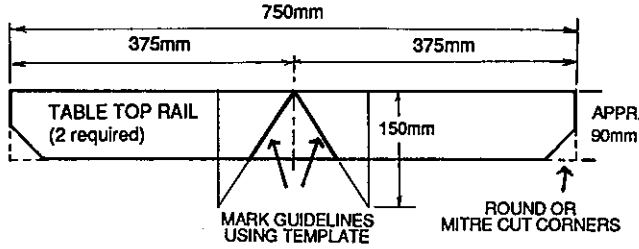
- 4** Cut each end of each leg to mark producing 4 identical shaped and marked pieces.



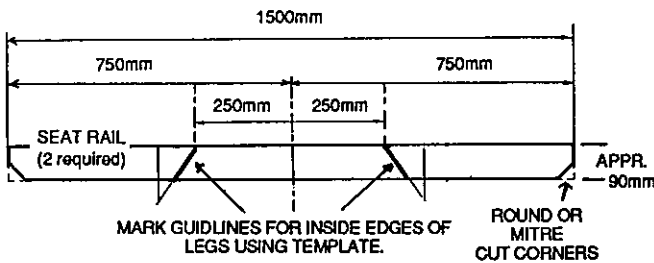
**5** Cut two table top rails, B, each 750 mm long from the 90mm (appr.) wide material.

**6** Cut table top cross bar C 900 mm long from the 90 mm (appr.) wide material.

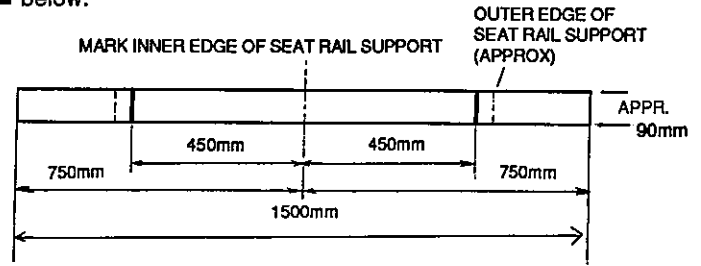
**7** Mark out each table top rail to pattern using rule/tape and template. Trim, round ends or mitre cut as shown.



**8** Cut two seat rails D each 1.5 m (1500 mm) long. Mark out seat rails as below using rule/tape and template. Trim ends, round or mitre cut as shown.

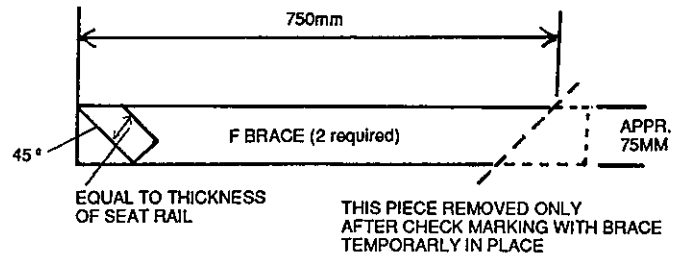


**10** Cut two seat planks 1500 mm long and mark out to pattern below.



**11** Screw fix, using countersunk screws, one seat plank to each end of the seat rails fixing outer plank so that it projects about 10-15 mm beyond end of rail.

**12** Mark two bracing pieces F to pattern shown below on the 75 mm DAR wide material. Cut out material shown shaded.



**9** Assemble (2) end frames to pattern shown using nails or clamps at each joint to temporarily hold pieces in place. Drill holes where indicated and insert 10 mm diameter bolts and lightly tighten nuts.

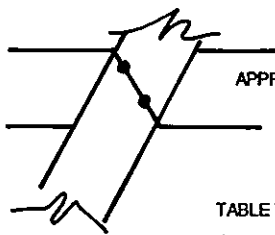
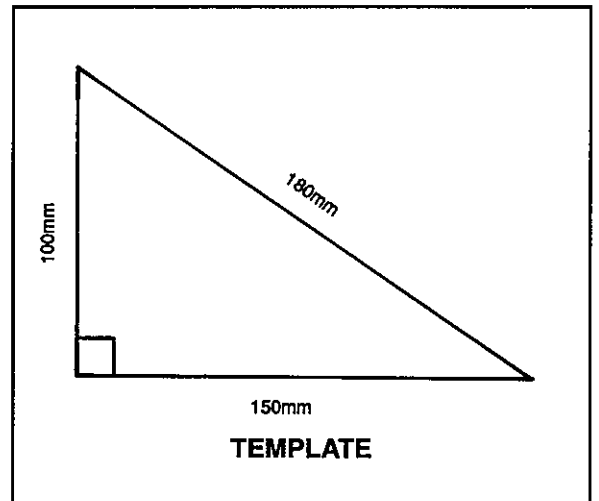
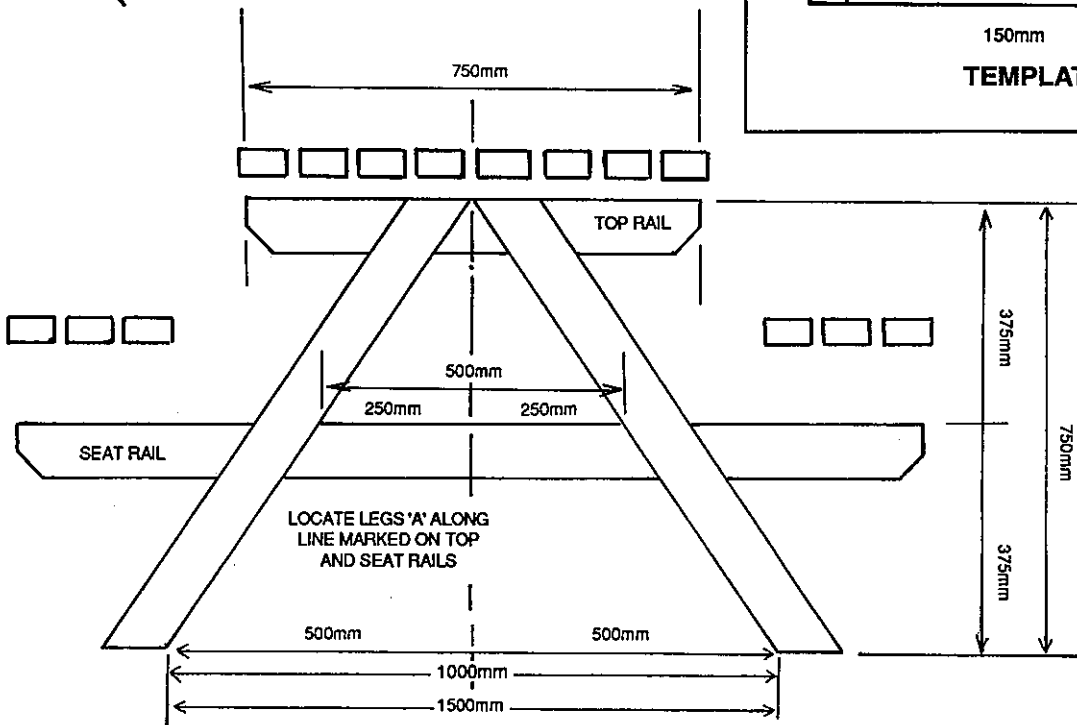


TABLE TOP PLANKS SPACED NO MORE THAN 6mm APART



## Tools you will need

- Saw
- Hammer
- Spanners
- Measuring Tape/Rule
- Carpenters mitre square, pencil
- Electric drill kit and drill bits
- Plane or Disc sander and sanding discs
- 6" G-clamps would be useful

An adjustable bevel gauge would be useful, or a simple template as in **step 9** could be made from thick cardboard, or thin plywood, hardboard, etc., and used to mark the angles required on legs and rails.

## Materials you will need

### TIMBER SELECTION

You will need to decide if your "garden" table and seat when in use, will be fully protected from the weather (say, under a covered pergola) or fully exposed to rain, dew and sun. This can affect your selection of type (species) of timber because you should seek to use products which give satisfactory performance under the proposed or expected conditions of exposure.

Where your table and seats would be affected by rain, dew and sun you would be wise to select timber (species) ranked at least as "durable" or perhaps "moderately durable" if you can maintain protective coatings on the exposed furniture.

We suggest hardwoods such as mixed northern hardwoods, turpentine, blackbutt, brush box, tallow wood, jarrah, karri or imported merbau, (kwila), balau etc. Or you may prefer light softer timber such as imported western red cedar, redwood or preservative treated plantation pine.\*

\*(Note: Minimum level of treatment of preservative treated timber for above ground applications is for hazard level 3 (or H3). Consult your supplier for availability and verifiable branding of products sold in NSW.)

### Timber Grade

Straight grained, minimum imperfections such as knots, gum veins, resin pockets, splits etc. which weaken the piece and, or pose problems with painting/staining and water penetration into the piece. We suggest you choose APPEARANCE grade if available.

### Timber Condition

Seasoned timber is preferred for this project and this should be available from selected merchants. Unseasoned timber (green) will be lower cost but pose later problems because of shrinkage and splitting unless you first air-dried it in a protected, loose, stack.

### Timber Size/Dimensions/Order

The durable hardwoods are relatively stronger and heavier than the plantation softwoods but seasoned hardwoods are of limited availability.

#### A Seasoned / Preservative Treated Plantation Pine Sizes

- ◆ 100 x 50 mm, DAR, seasoned, finished size appr. 90 x 45 mm - 4/1.0 m, 16/1.5 m, 2/750 mm, 1/900 (for legs, rails, seat and table top planks)
- ◆ 75 x 38 mm, DAR, seasoned, finished size appr. 70 x 35 mm - 2/750 mm (for braces)

#### B Seasoned Hardwood Sizes (Check with supplier for finished sizes)

- ◆ 100 x 38 mm, DAR, seasoned, finished size appr. 90 x 35 mm - 4/1.0 m, 16/1.5 m, 2/750 mm, 1/900mm (for legs, rails, seat and table top planks)Z
- ◆ 75 x 38 mm DAR, seasoned, finished size appr. 70 x 35 2/750 mm (for braces)

NB Your supplier will supply sufficient material from which these sizes can be sawn. Or some suppliers may be willing to cut these to size for a small charge or adjust length supplied to fit into your car boot or cabin.

### HARDWARE

#### A For softwood timber unit

- 16/100 x 10 mm galvanised cup head bolts, nuts and washers
- 70/75 mm x 6 gge galvanised or brass countersunk head wood screws.

#### B For hardwood timber unit

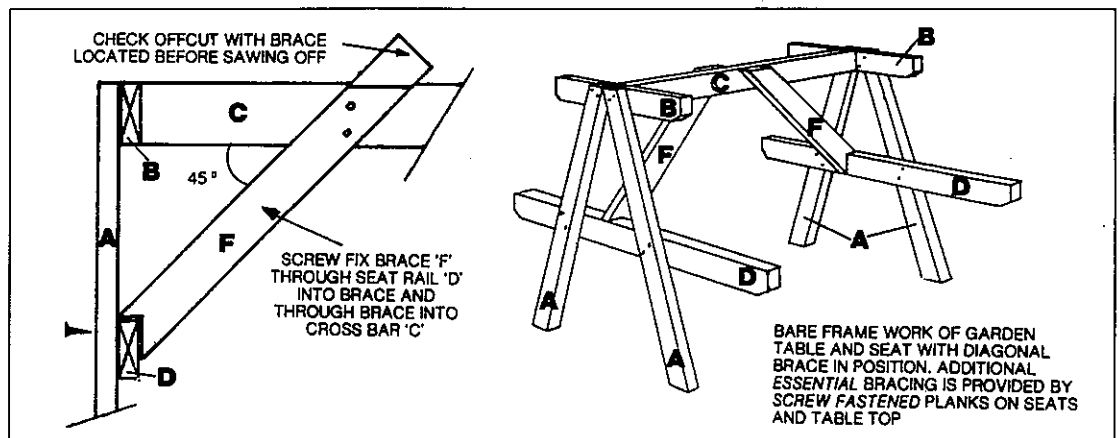
- 16/75 x 10 mm galvanised cup head bolts, nuts and washers
- 70/75 mm x 6 gge galvanised or brass countersunk head wood screws

### PAINTS/STAINS

Exterior timber finishes, selected stains, paints specially suited to garden furniture.

Special note: For preservative treated timber you will need a "reseat" preservative solution to reseal freshly cut ends of all pieces.

- 13** Line up brace on seat rail and at 45° to table top crossbar (one brace each side of top crossbar) mark off brace on bar and cut to fit flush with top edge of top bar. Screw fix brace, checking that angle made with bar is 45° and the whole frame is "squared up".



- 14** Round off using sander, or bevel using plane, all edges and ends so as to reduce hazard to users, and to provide better pre-paint or pre-stain adhesion all over accessible timber.

OR

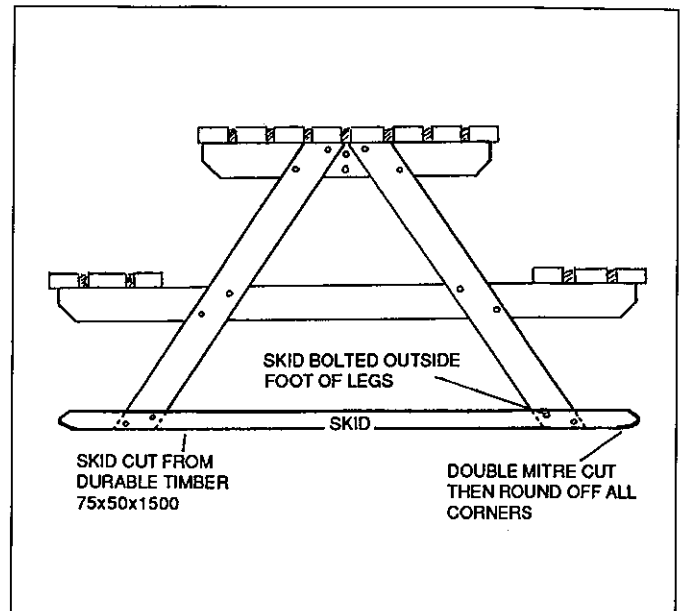
Dis-assemble the frame and round off/bevel all edges and ends, then prime-coat or apply first stain coat all pieces all over and allow to dry BEFORE re-assembly.

Note particularly that all freshly sawn ends of preservative treated timber should be re-sealed using recommended solutions.

- 15** Mark and cut remaining 12 planks for table top (8) and seats (4) to the same pattern used in Step 10. Drill holes for screws including countersinking. Round-off, bevel all edges and ends of all planks.

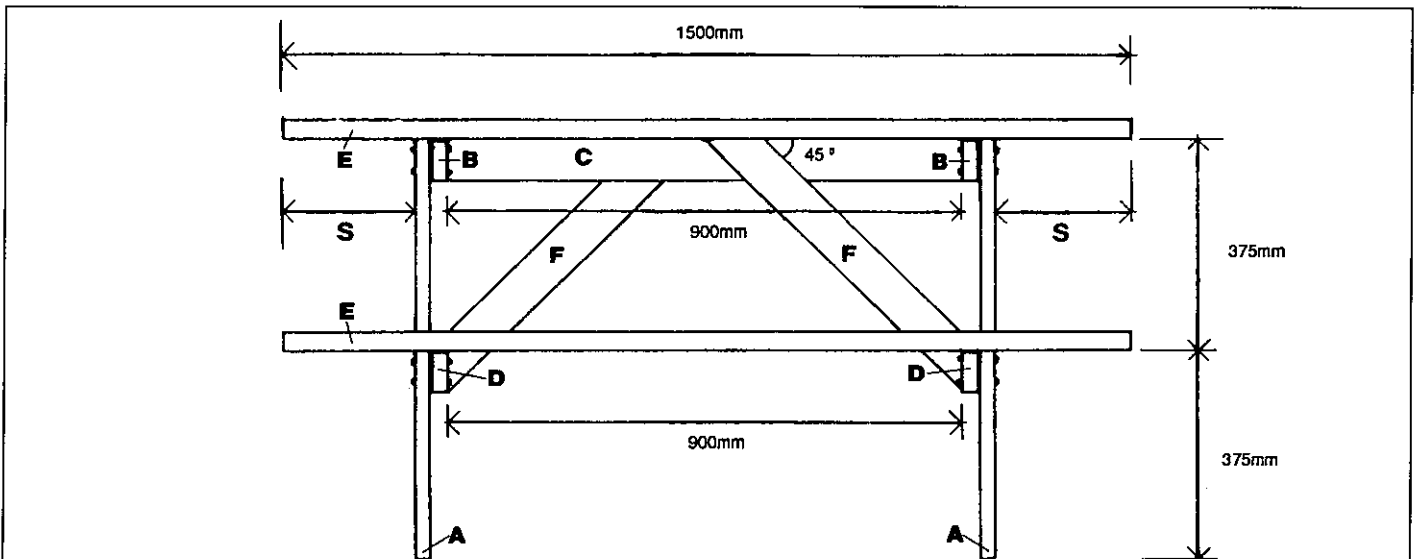
- 16** Pre-prime/pre-stain all planks. When dry, screw fix to seat rails and table top rail allowing equal spacing between seat planks of about 6 mm but adjusting table planks spacing as required.

- 17** Tighten all bolts/nuts and screws then apply final coats of paints or stains as recommended by the coating manufacturer.



#### Supplementary Step

If table is to be used on soft ground or perhaps on uneven ground, you may wish to provide an additional bolt-on stability bar and skid to the foot of legs as illustrated.



#### SIDE ELEVATION OF GARDEN TABLE AND SEATS

Note: Dimension 'S' is adjusted to give even spacing on each side of frame depending on thickness of timber used.

**Disclaimer:** While the Timber and Building Materials Association (NSW) Limited (TABMA) and its members believe this publication is an invaluable guide to this project, the Association cannot guarantee that every statement is without flaw. Therefore, the Association and its members hereby disclaim all liability for errors or omissions of any kind, whether they be negligent or otherwise, or for any loss, damage or other consequence which may arise from any person relying on information stated in this publication.

This brochure was prepared with the assistance and co-operation of the Timber Development Association NSW Ltd.

For further advice telephone the TDA Timber Advisory Service on (02) 9360 3088.

Copyright Owner: Timber and Building Materials Association (NSW) Limited

Supplied by